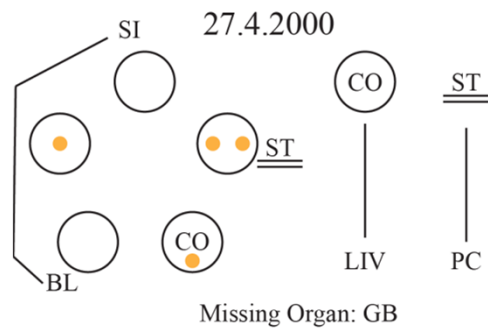


Phase of Wood
Case History

Skin Conditions

Atopic Dermatitis

Shely



Shely (9) ♀

21.3.2009

Sister: Maya - 6

CC: Atopic Dermatitis

3 weeks ago they decided to stop the creams.

It started year and a half ago.

She got acupuncture treatments but it worsen her condition.

Appear in the hand and knee, now also in the ribs.

Not scratching and not suffer to much, but it is an esthetic problem.

Her sister suffer from asthma.

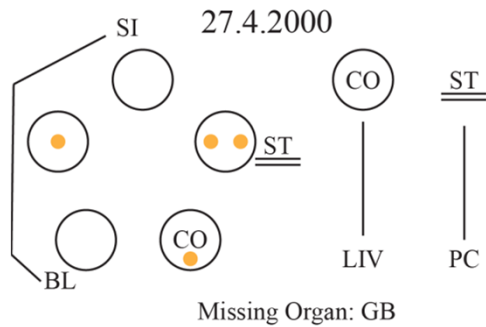
Usually she is healthy.

Not eating good. Don't eat fruits or vegetables.

She has two parts – she can play girls plays and dance ballet and can act as a tomboy.

Perfectionist.

Like to stay awake until late at night, in the morning jump out of bed like a panther.



Shely (9) ♀

21.3.2009

Sister: Maya - 6

Pregnancy: ✓.

Birth: Drainage of water 60 hours before birth, 3 sessions of Pitocin. AB to the vein, fungus in the breast and later on moved to the child mouth.

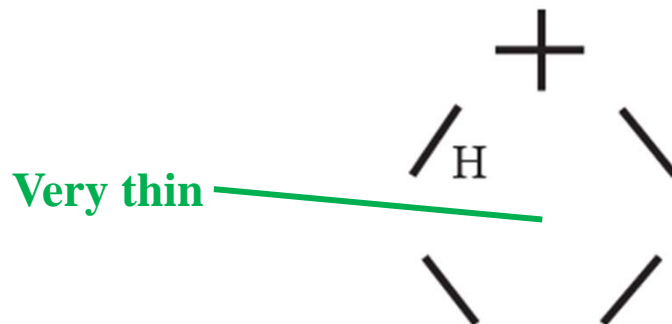
AB: First time a few months ago – Streptococcus A

Sleeping: Moving a lot, not talking too much. Dreams about death, her death, her mother death.

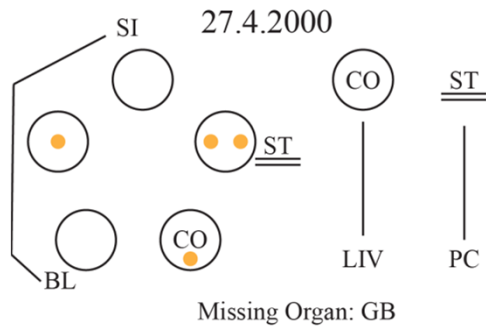
Stools: ✓. **Vaccines:** ✓.

Mood: There are some tantrums – like her mother.

Use to have fears a year or two years ago, even at home – disappear by itself.



T: CO-11



Shely (9) ♀

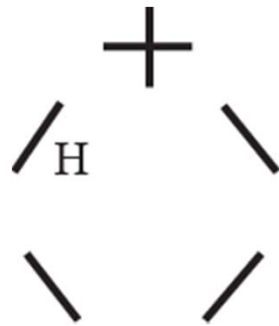
9 Days later

W	T
21.3	CO-11

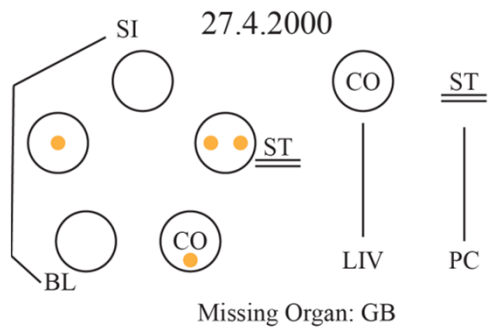
30.3.2009

There is a defined improvement that

There is a lot of dandruff – they forgot to mention it in before.



T: LIV-2°



Shely ♀

9 Days later

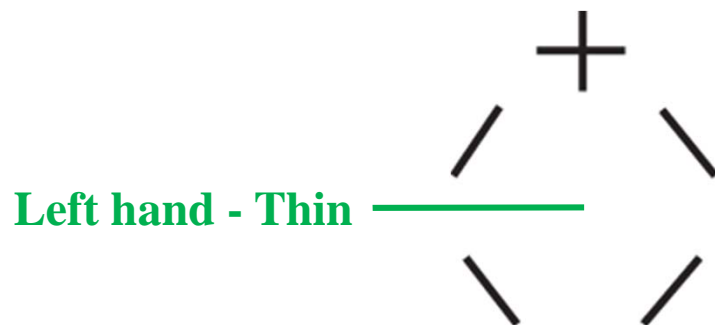
13.4.2009

W	T
21.3	CO-11
30.3	LIV-2°

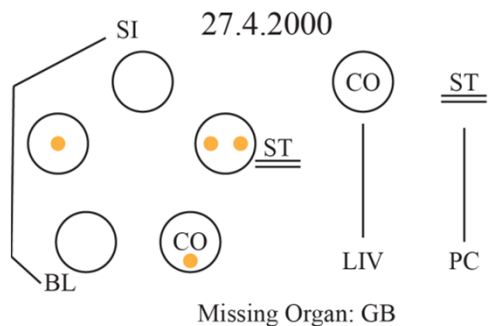
Generally there is improvement, the lesions are less intense.

No reaction after the treatment.

A new lesion appeared – under the buttock.



T: LU-5



Shely (9) ♀

2 Weeks later

27.4.2009

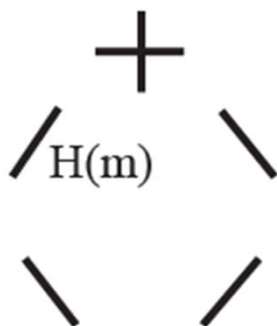
W	T
21.3	CO-11
30.3	LIV-2°
13.4	LU-5

Less itching, there is improvement.

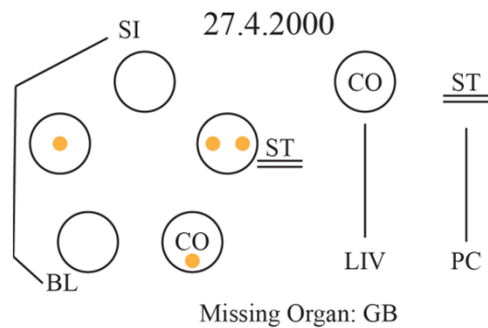
Emotional: Good

Dandruff: No improvement.

Lesion under the buttock: Minor, latent, not seen, can be felt only - rough.



T: KID-3



Shely (9) ♀

2 Weeks later

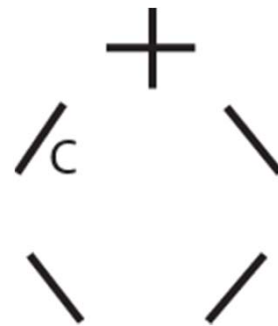
18.5.2009

W	T
21.3	CO-11
30.3	LIV-2°
13.4	LU-5
27.4	KID-3

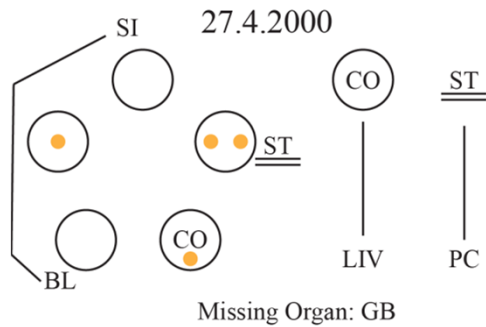
Skin: In general improvement.

Anew lesion close to the classic place – the inner elbow.

Dandruff: No change. In the past they used some unnatural stuff – it helped but not solved the problem.



T: LIV-8°



Shely (9) ♀

4 Weeks later

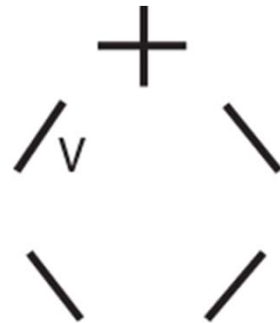
15.6.2009

W	T
21.3	CO-11
30.3	LIV-2°
13.4	LU-5
27.4	KID-3
18.5	LIV-8°

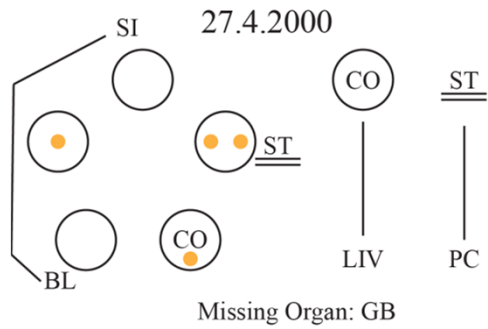
Until one week ago the skin was in excellent shape, nearly nothing visual, now there are 2 spots in the leg and roughness in the ribs area and the hand.

Dandruff: No change. In the past they used some unnatural stuff – it helped but not solved the problem.

Sleeping: Good, don't want to sleep, wakes up immediately.



T: KID-3



Shely (9) ♀

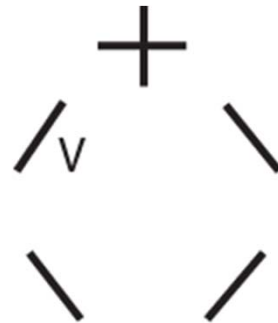
7 Weeks later

3.8.2009

W	T
21.3	CO-11
30.3	LIV-2°
13.4	LU-5
27.4	KID-3
18.5	LIV-8°
15.6	LU-5

She is OK – the skin is clean

Dandruff: improvement.



T: KID-10

Last treatment